



Thionyl Chloride Lithium Battery (Li/SOCl₂)

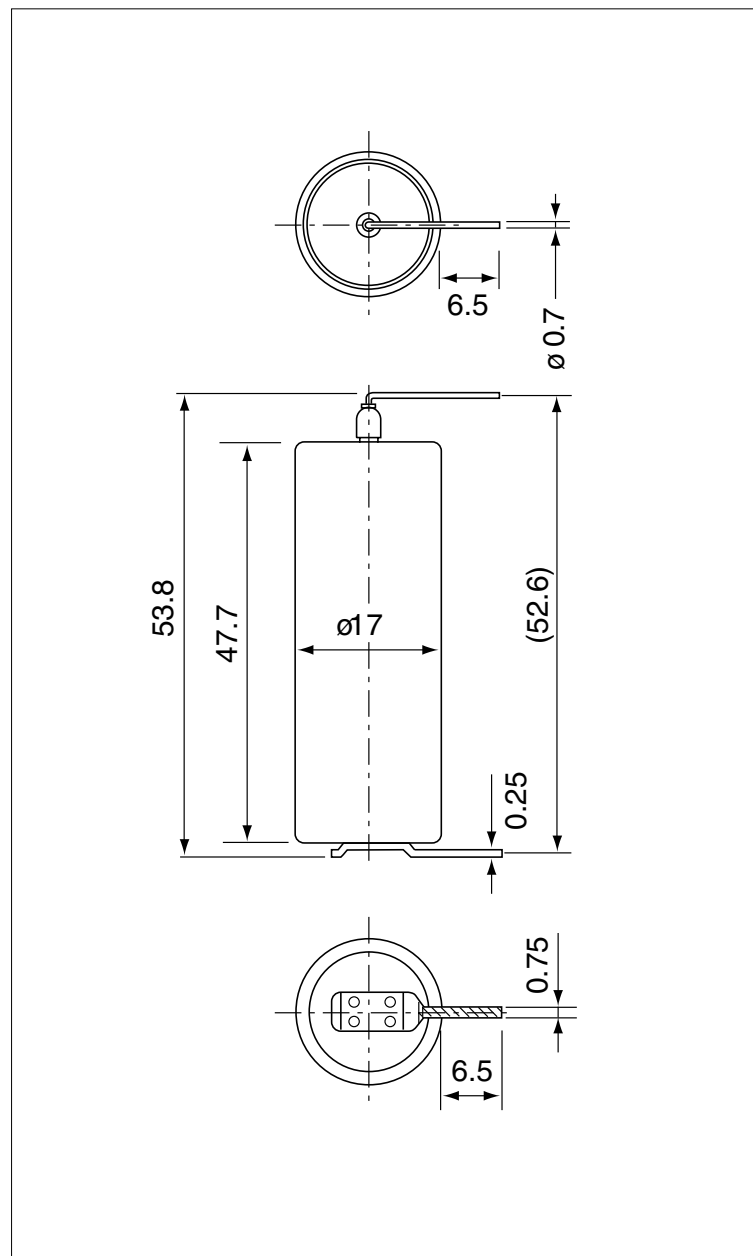
ER17/50 (2750mAh)

THIONYL CHLORIDE LITHIUM BATTERY

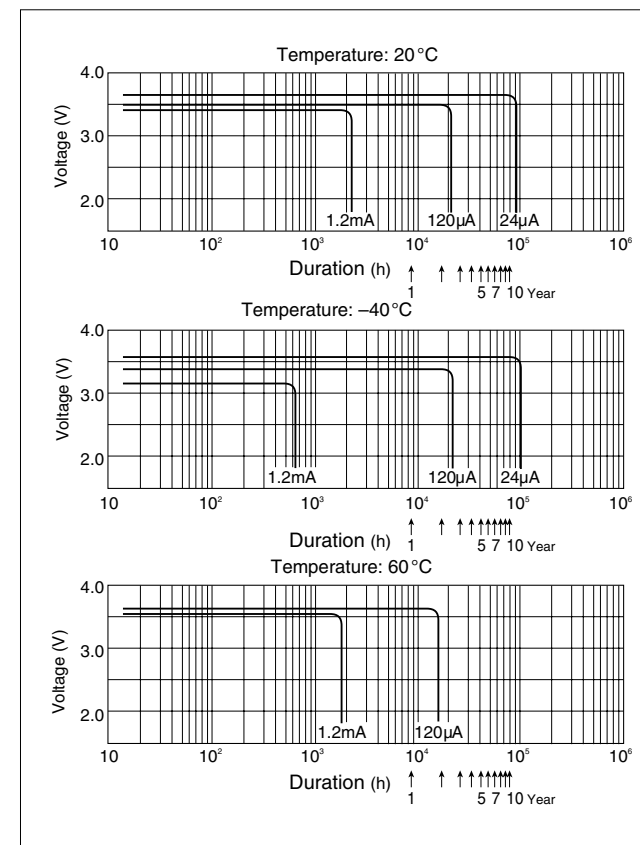
Thionyl Chloride Lithium Battery (Super Lithium Battery)



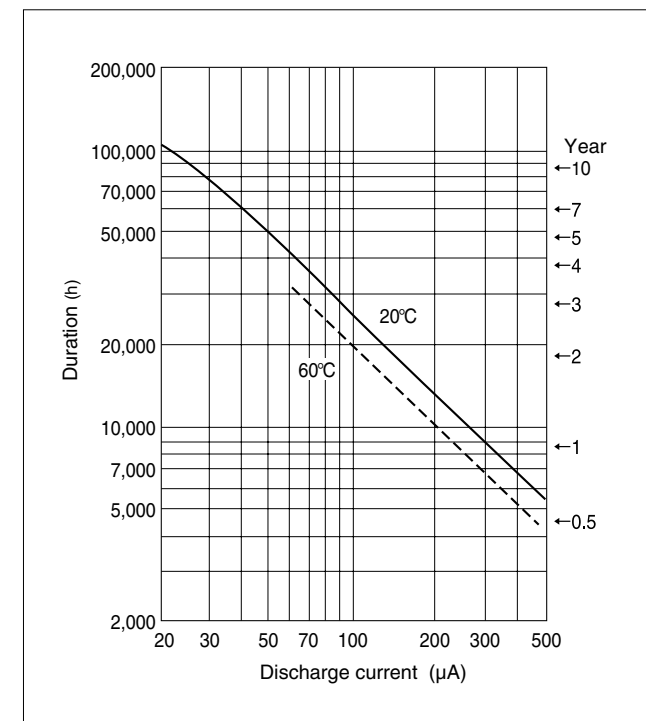
External dimensions (unit: mm)



Discharge Characteristics



Relationship between Discharge Current and Duration



Storage Characteristics

